

OMARKHANOVA AIZHAN | NAZARBAYEV INTELLECTUAL SCHOOL | ALMATY | KAZAKHSTAN

## How to Deal with Sands?

### Literature Through Science

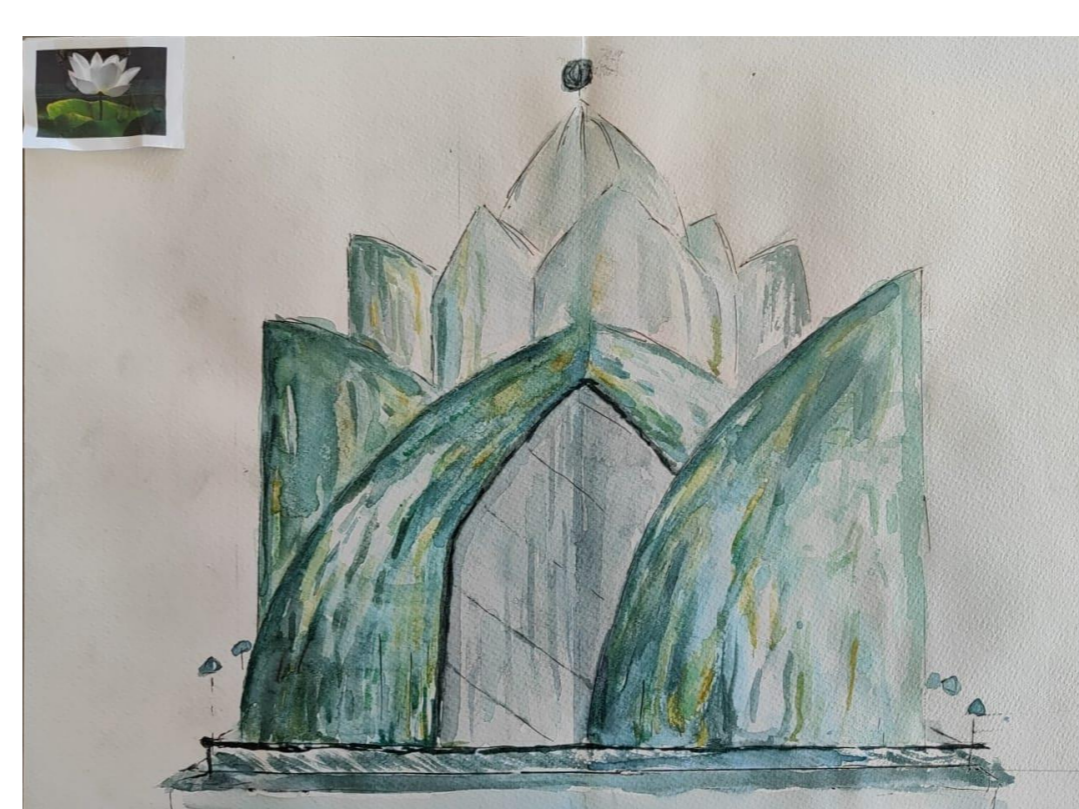
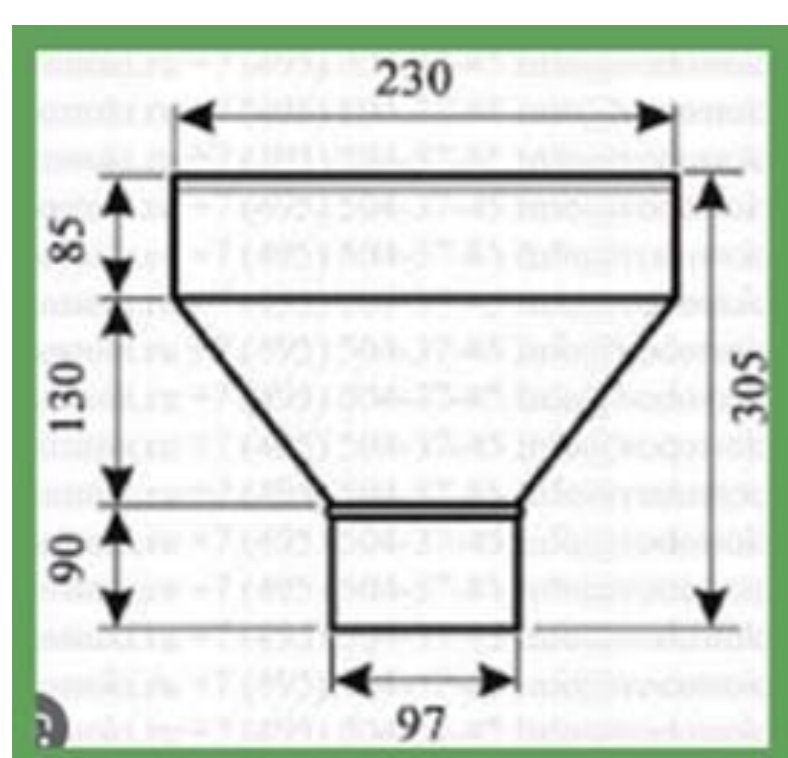
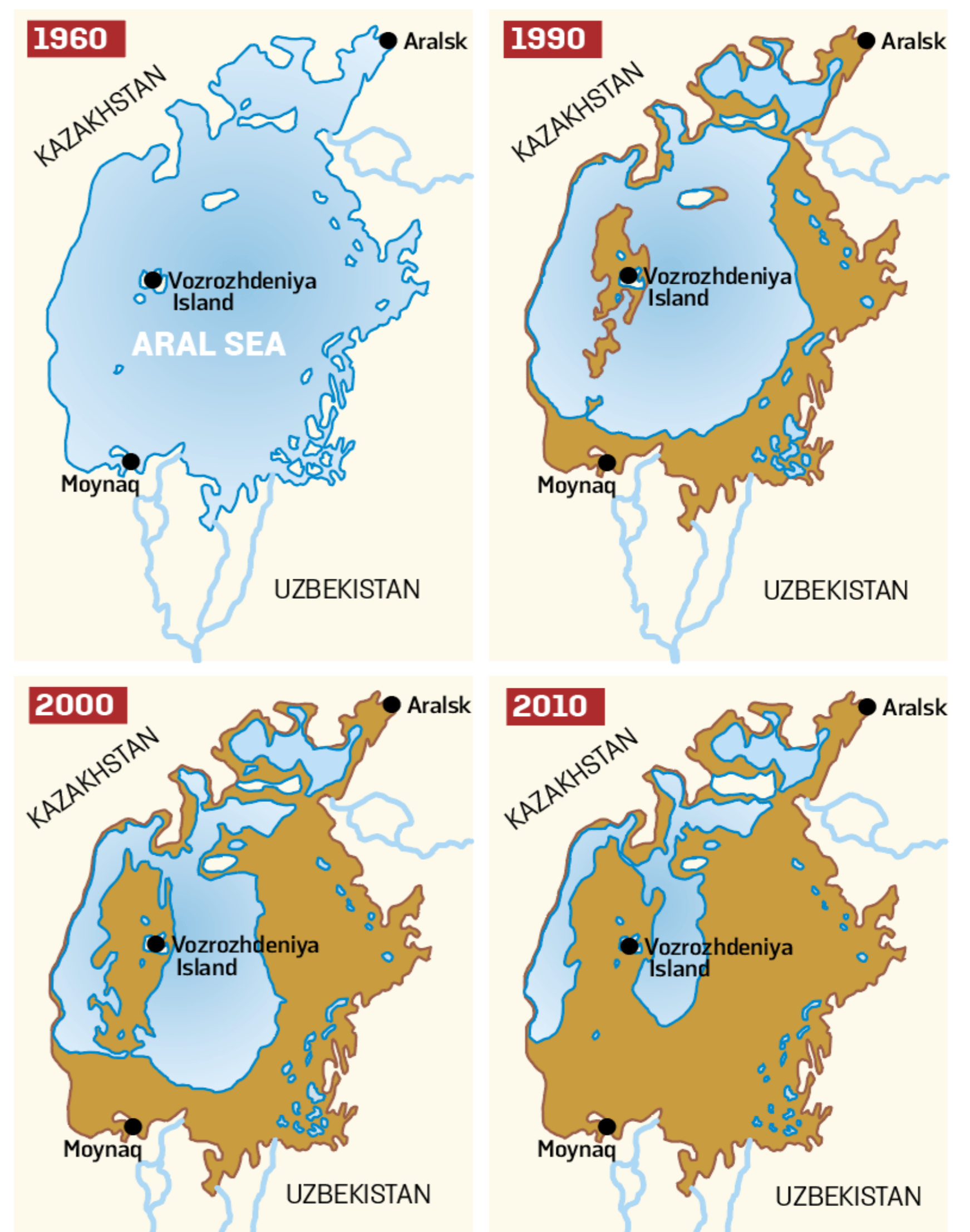
Based on the story "The Sand Teacher" by A. Platonov, students used the experience of Maria, the main character of the story, to transform the world and build a new life on the border of the Central Asian desert. How can we protect human life from global climate change? We propose two methods to combat sand spread for improving the environment and quality of life.

#### Method № 1.

Greening the desert with willow shrubs using a biodegradable polymer condenser box.

#### Method № 2.

Architectural construction of an eco-farm in the steppe with elements of bionics.



With global climate change, all new regions will begin to experience drought and land degradation, ultimately leading to poverty among the population. Effective methods of combating sand will safeguard human life from this natural disaster.